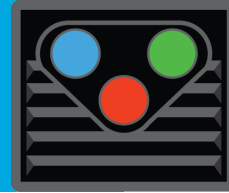


XPB-16-112x48-DF

Specifications



Key Features

- Front Ventilation
- Integrated Light Sensor
- Low Profile Design
- Ease of Installation
- Step Edge Design
- Durability

Specifications

Physical	Pixel Pitch	16.5mm (.65") centers
	Display Matrix (wxh)	112 x 48
	Active Dimensions (wxh)	6.08' x 2.63' 1,853mm x 802mm
	Active Area	15.99 ft ² / 1.49 m ²
	Cabinet Dimensions (wxhxd)	6.34' x 2.94' x 5" 1,932mm x 896mm x 127mm
	Weight	157.7 lbs / 71.5 kg
	Cabinet Construction	All aluminum construction

Optical	Brightness	9,000 nit
	Contrast Ratio	11,000:1
	Viewing angle - Horizontal	140° (+/- 70°)
	Viewing angle - Vertical	77° (+25°/- 52°)
	Number of colors	281 trillion colors
	Dimming Capability	8 bit (256 levels of brightness)
	Color temperature - Default	6,500K - D65

Electrical	Video Rate	60 frames per second
	Animation Rate	60 frames per second
	Video Processing	24 bit, 100% digital, no compression
	Color Processing	16 bit per color (48 bit total)
	Input Power Range	120/240 volts, 50/60 Hz
	Wattage	1,326 watts
	Refresh rate	49,920hz
	Scan Rate	1:1 (Non-multiplexed)

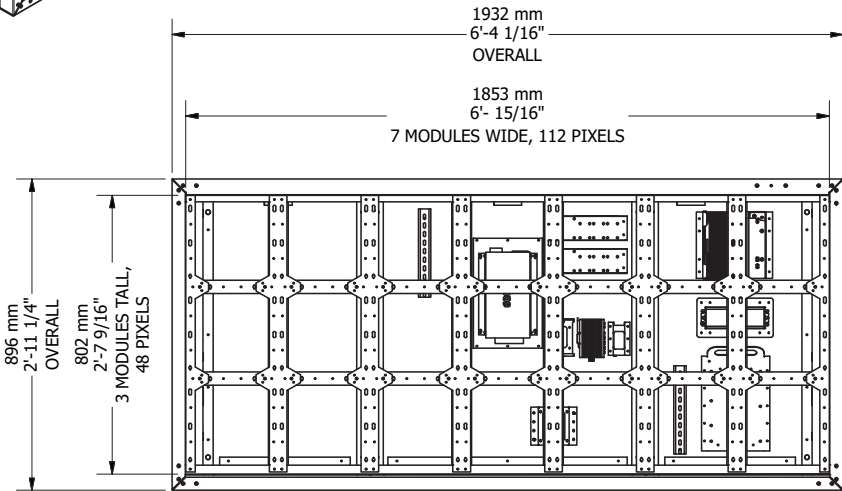
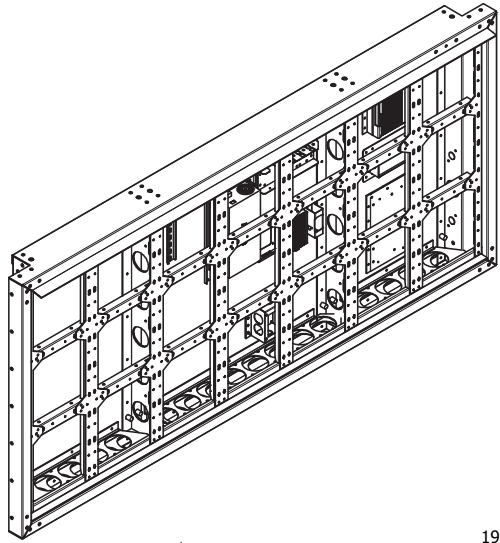
Operational	Working Temperature	-40°C to 55°C / -40°F to 131°F
	Cooling	Quiet running vent fans
	IP Rating	IP65
	LED Lifetime (1/2 brightness)	100,000 hours
	Certification	CE, UL / ULC listed
	Service	Front Service and/or Rear Service



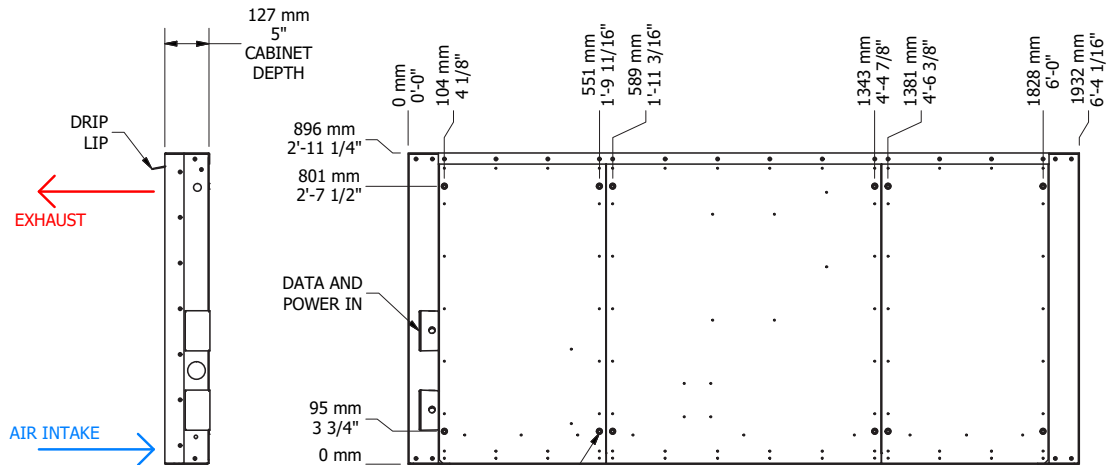
REVISION HISTORY				
DWG ED	REV	DWG EDITION DESCRIPTION	DATE	AUTHOR
1	A	INITIAL DRAWING CREATION	3/30/2018	NAT
2				
3				

GENERAL NOTES:

1. ESTIMATED WEIGHT AT LB PER SQUARE FOOT: 157.7 LB [71.5 KG]
2. ESTIMATED LED WATTAGE OF DISPLAY: 511 WATTS
3. ESTIMATED TOTAL WATTAGE OF DISPLAY: 663 WATTS
4. PRIMARY POWER TYPE: 120/240V, 50/60Hz
5. FRONT SERVICE
6. DISPLAY SHIPS IN 1 SECTION(S)
7. ALUMINUM CABINET DESIGN WITH BLACK PERIMETER FINISH
8. ACTUAL CONNECTED LOAD DEPENDS ON NIT VALUES, EFFICIENCY OF THE SYSTEM, AND LED SELECTION. THE ELECTRICAL CONTRACTOR MUST VERIFY LOADS AND POWER TYPE WITH THE FACTORY PRIOR TO FABRICATION
9. ALL CORNERS TO BE SHOP WELDED. SILICONE ALL OTHER SEAMS.



FRONT VIEW
SCALE 1 / 14



SIDE VIEW

REAR VIEW

3/8" CLOSED END NUTS FOR MOUNTING TO REAR STRUCTURE

PROJECT NAME: XPB Better Build 16mm			ITEM NUMBER: MAY-890007
PROJECT NUMBER:	DISPLAYS: 1	SECTIONS: 1	ITEM REVISION: A
DISPLAY ADDRESS:			

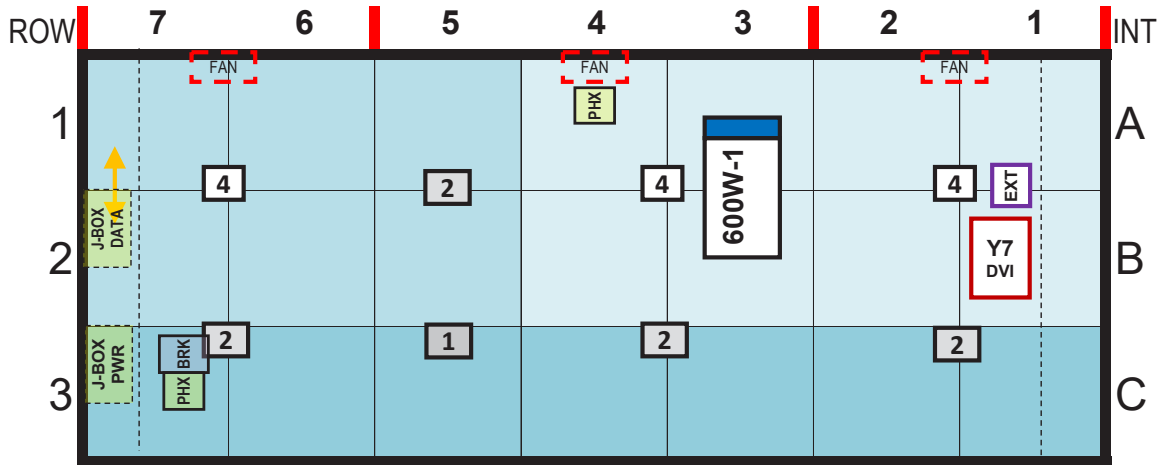
XPB Better Build 16mm 112x48	
BUILD TYPE: BETTER BUILD	UNSPECIFIED TOLERANCES
FANS: FAN-00022 (QTY-3)	DECIMAL: ± 0.010
	FRACTIONAL: ±1/16
	ANGULAR: ± 2°

<p>Prismview A Samsung Electronics Company 1651 NORTH 1000 WEST LOGAN, UT 84321 PHONE: 435-774-8800 FAX: 435-774-8801</p>	DRAWING TYPE: Assembly
	SHEET NUMBER: 11x17
	SHEET NUMBER: 1 OF 1

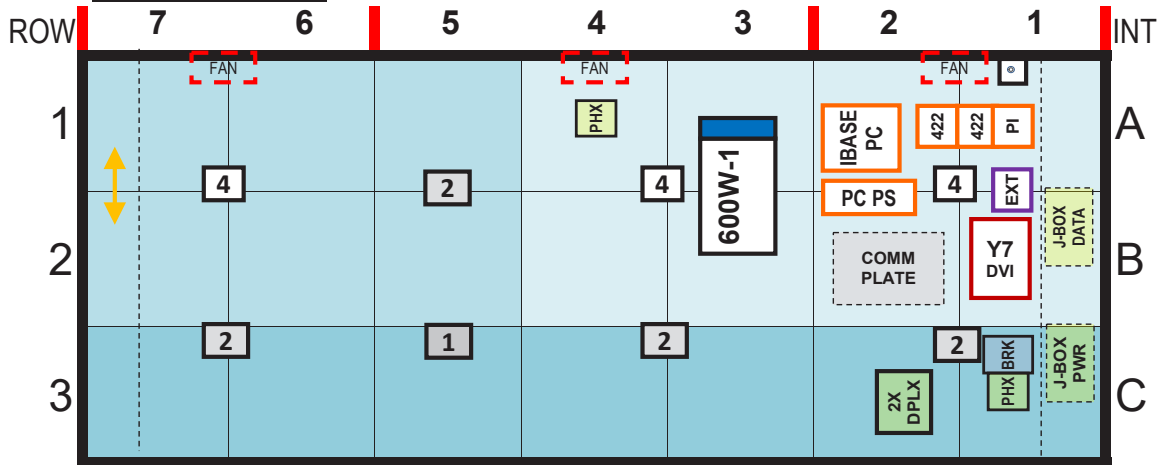
THESE DRAWINGS AND SPECIFICATIONS REMAIN THE PROPERTY OF PRISMVIEW LLC. COPIES OF THE DRAWINGS AND SPECIFICATIONS RETAINED BY THE CLIENT MAY BE UTILIZED ONLY FOR THEIR USE AND FOR THE PROJECT FOR WHICH THEY WERE PREPARED, AND NOT FOR USE ON ANY OTHER PROJECT.

C:\Users\Wong\Desktop\2018 Assemblies\Standard_Builds\XPB Better Build 16mm 890007.dwg, 10/19/2017
C:\Users\Wong\Desktop\2018 Assemblies\Standard_Builds\XPB Better Build 16mm 890007.dwg, 10/19/2017

XPB DF 112x48 16mm COMPONENT LAYOUT (FRONTVIEW)



Slave Face



Master Face

# Drop	#Pieces	Total
1	1	1
2	4	8
4	3	12
Total		21

POWER SPECIFICATIONS	
LED LOAD@.095W/PIX:	511W per Face
TOTAL CONNECTED LOAD:	663W per Face
INPUT VOLTAGE:	120V
INPUT CONFIGURATION:	1-15A Circuit per Face



Prismview
A Samsung Electronics Company

1651 NORTH 1000 WEST LOGAN UT 84321 (435)-774-8800 PHN (435)-774-8801 FAX

TITLE:	XPB16 - DF 112x48 16mm		
DATE:	6/29/2018	DRW BY:	LKI
REV :		PROJECT:	